



3E-NF40 Series is a water treatment NF membrane element with high water flux and medium rejection, is developed to meet requirements of the dye industry water treatment and recycle

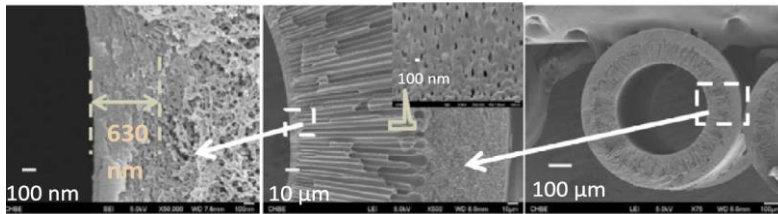
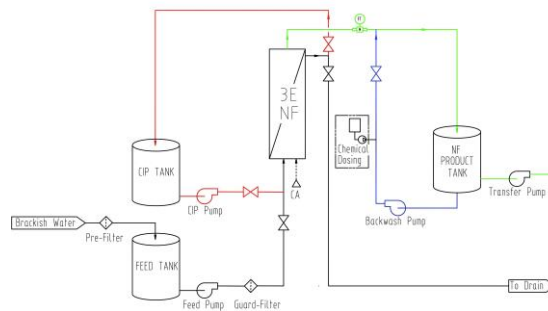
3E-NF40 Series membrane has 40% rejection of 2000PPM $MgSO_4$, it can be used for:

- 1). dye compounds removal
- 2). salts reduction

Application:

- Dye wastewater recycling for production to reduce the water usage and discharge
- Industrial wastewater treatment
- Material separation and recycling

SCHEMATIC DIAGRAM
3E NF FOR BRACKISH WATER TREATMENT



Mat'l	Series	Eff. Mem. area, m ²	Water flux T/day	Salt rejection 500ppmNaCl	Salt rejection 2000ppm MgSO ₄	** max recovery rate; %	Max operating pressure; bar	Max pH range	Max Free-chloride resistance; ppm
PES	3E-90NF40A	9.8±0.4	7.4±0.5	28.2±2%	42.3±1.5%	43.2%	8.0	1-10	1000
	3E-160NF40A	47±0.4	35.5±0.5	28.2±2%	42.3±1.5%	43.2%	8.0	1-10	1000
	3E-250NF40A	76±0.5	87.1±0.5	28.2±2%	42.3±1.5%	43.2%	8.0	1-10	1000
Test condition		Water temperature: 25°C; pH: 7.5-8; Test pressure: 5.0bar							
note		** Max recycle rate per membrane module is tested without recycling of system concentrated water; Present recycle rate per membrane module is 15%; max 18%.							

Note: for detailed technical profile, please discuss with our technician.

For more information, contact:

Telephone: +65 62056498, +65 65159384

Mobile (WhatsApp & Skype): +65 92376398

Email: sales@sgbom.com

Website: www.3ememtech.com

3E Memtech Pte LTD

(A subsidiary of BlueOcean Memtech Pte Ltd)

84 Toh Guan Rd E, #04-01

PUB Water Hub, S'pore 608501